

Easy Drain[®]
Shower Drains

Waterstop



WA 2

Easy Drain®

Waterstop Wall

Guaranteed 100% watertight



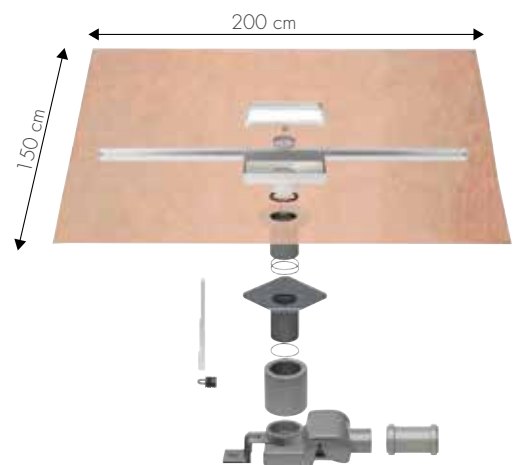
Waterstop Wall

Easy Drain Waterstop Wall linear shower drain is supplied as complete set, including: grate, trap body, drainage siphon and pre-assembled sealing membrane (200 x 150 cm) with WPS technology (Water Protection System). The sealing membrane can be sealed with flexible tile adhesive for guaranteed watertightness and complete protection throughout the shower area. Waterstop shower drain can be installed free in the floor or directly at the wall and is certified according to ETAG 022, CE and EN 1253.

Product benefits:

- Easy to clean siphon
- Pre-assembled sealing membrane 200x150 cm
- Installation: free in the floor or directly at the wall
- High drainage capacity 30 l/min
- CE certified
- ETAG 022 certified
- EN 1253 certified
- Sealing membrane can be sealed with flexible tile adhesive

COMPLETE SET
INCL. GRATE



Easy Drain® Waterstop Wall

COMPLETE SET
INCL. GRATE



Complete set incl. grate

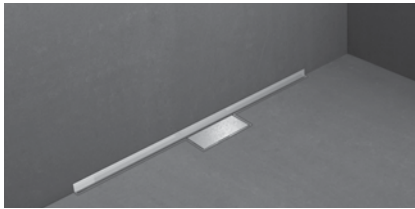


10 YEAR WARRANTY

WPS Technology - pre-assembled sealing membrane



I Water seal 50 mm I

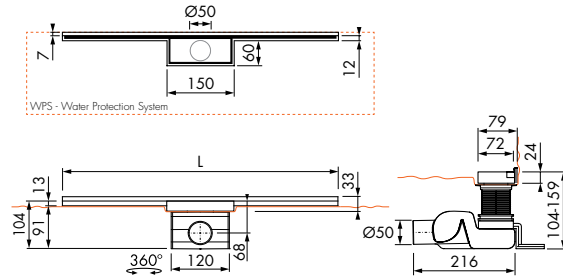
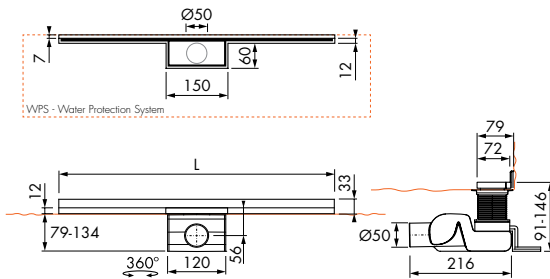


Complete set	Article code
Length 700 mm	ED-WS-W-70
800 mm	ED-WS-W-80
900 mm	ED-WS-W-90

I Water seal 50 mm I



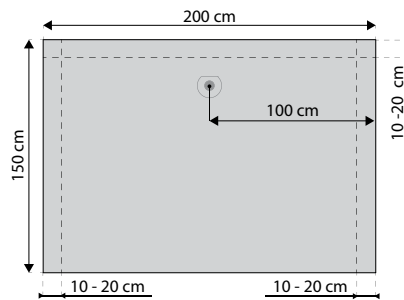
Complete set	Article code
Length 700 mm	ED-WS-WT-70
800 mm	ED-WS-WT-80
900 mm	ED-WS-WT-90



Installation options



Capacity water seal



SEALING AND OTHER ASSEMBLY ACCESSORIES, see "Assembly accessories"



Wet area - Sealing system
see "Assembly accessories"



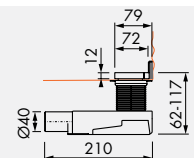
10 YEAR WARRANTY

M2 flat siphon, water seal 28 mm



Article code: SPAMOD14

M2 flat siphon





10 YEAR WARRANTY

WPS Technology - pre-assembled sealing membrane



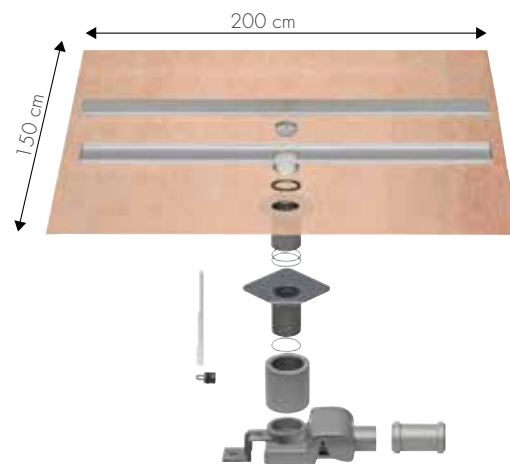
Waterstop Wall

Easy Drain Waterstop linear shower drain is supplied as complete set, including: grate, trap body, drainage siphon and pre-assembled sealing membrane (200 x 150 cm) with WPS technology (Water Protection System). The sealing membrane can be sealed with flexible tile adhesive for guaranteed watertightness and complete protection throughout the shower area. Waterstop shower drain can be installed free in the floor or directly at the wall and is certified according to ETAG 022, CE and EN 1253.

Product benefits:

- Easy to clean siphon
- Pre-assembled sealing membrane 200x150 cm
- Installation: free in the floor or directly at the wall
- High drainage capacity 41 l/min
- CE certified
- ETAG 022 certified
- EN 1253 certified
- Sealing membrane can be sealed with flexible tile adhesive

COMPLETE SET
INCL. GRATE



Easy Drain® Waterstop

COMPLETE SET
INCL. GRATE



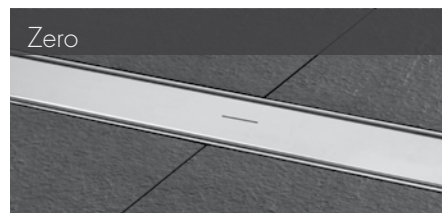
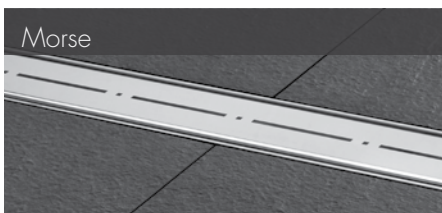
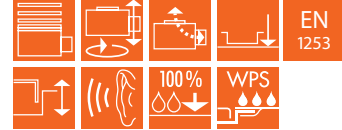
Complete set incl. grate

| Water seal 50 mm |



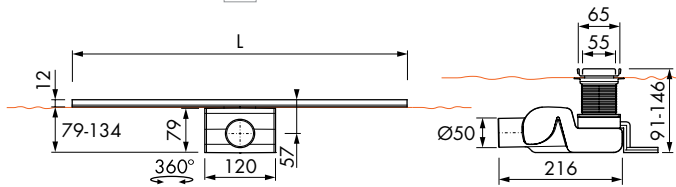
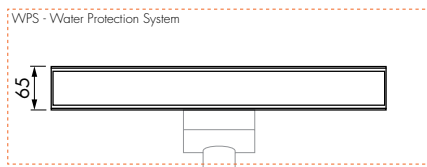
10 YEAR WARRANTY

WPS Technology - pre-assembled sealing membrane



Complete set	Article code
Length 700 mm	ED-WS-M- 70
800 mm	ED-WS-M- 80
900 mm	ED-WS-M- 90
1000 mm	ED-WS-M-100
1200 mm	ED-WS-M-120

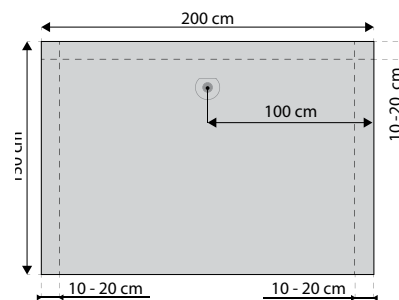
Complete set	Article code
Length 700 mm	ED-WS-Z- 70
800 mm	ED-WS-Z- 80
900 mm	ED-WS-Z- 90
1000 mm	ED-WS-Z-100
1200 mm	ED-WS-Z-120



Installation options



Capacity water seal



SEALING AND OTHER ASSEMBLY ACCESSORIES, see "Assembly accessories"



Wet area - Sealing system
see "Assembly accessories"



10 YEAR WARRANTY

M2 flat siphon, water seal 28 mm



Article code: SPAMOD14

M2 flat siphon

