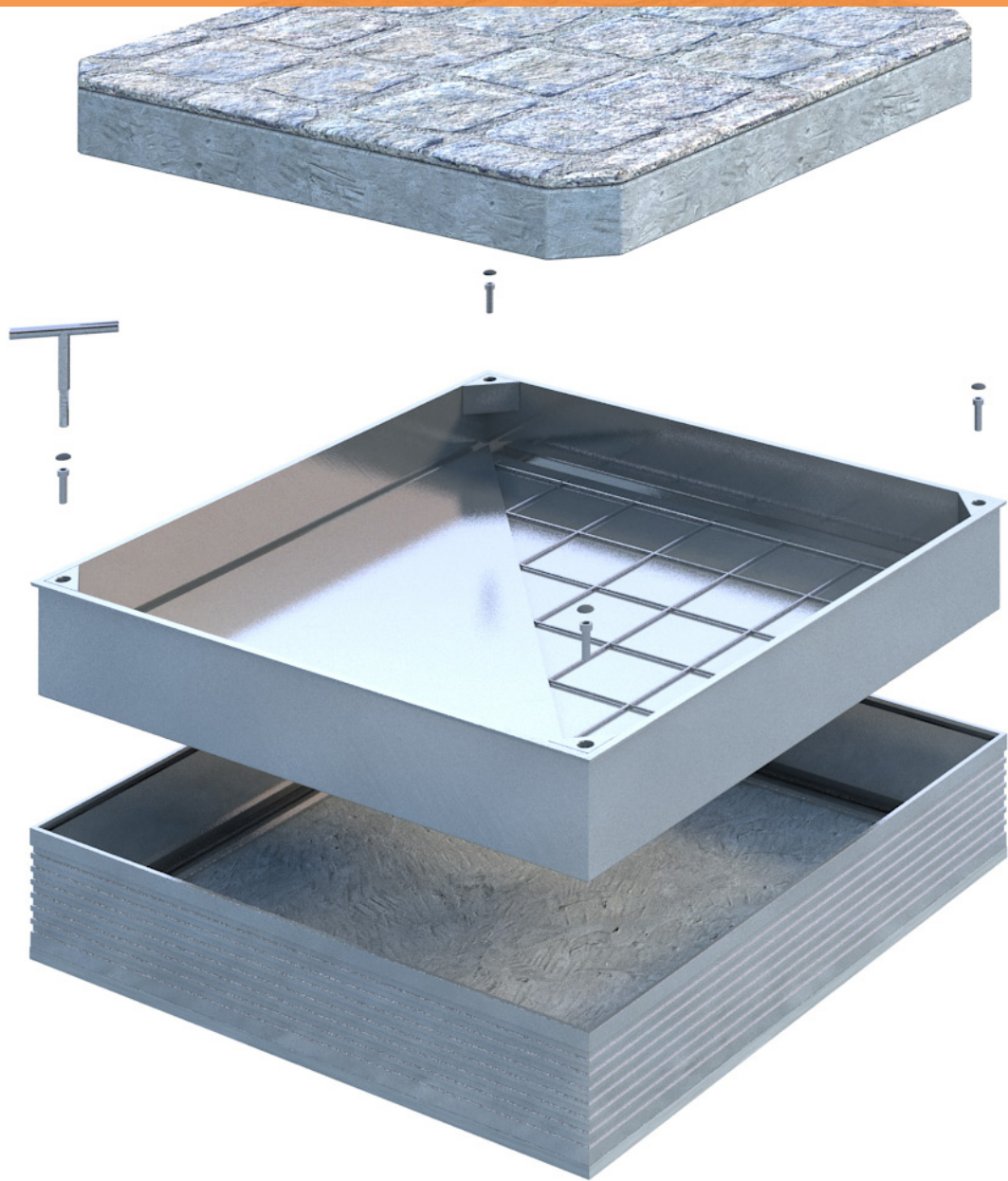


ALUMINUM AND GALVANIZED MANHOLE COVERS



KA - ALUMINUM SERIES

- LIGHT (load class: 20 Kn, 40 Kn)
- HEAVY (load class: 40 Kn, 60 Kn)
- EXTRA HEAVY (load class: 125 Kn)

KG - GALVANIZED SERIES (load class: 125 Kn)

- LIGHT
- HEAVY

ALUMINUM MANHOLE COVERS

The **KA-Light** series are gas tight smell and waterproof aluminum manhole covers with the removable cover freely placed in the outside frame. Products are available in four various heights: 40/60/80/100 [mm]. These materials are used in industrial objects and public buildings where access to systems installed under the floor is necessary (shops, exhibition halls, restaurants, warehouses).

The manhole covers are provided with two seals: a seal at the cover part and a T-shape rubber seal build into the outside frame side. The T-shape rubber:

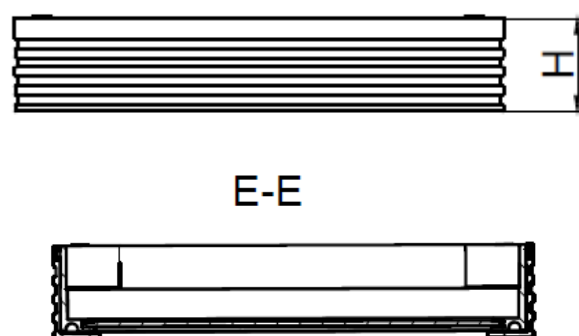
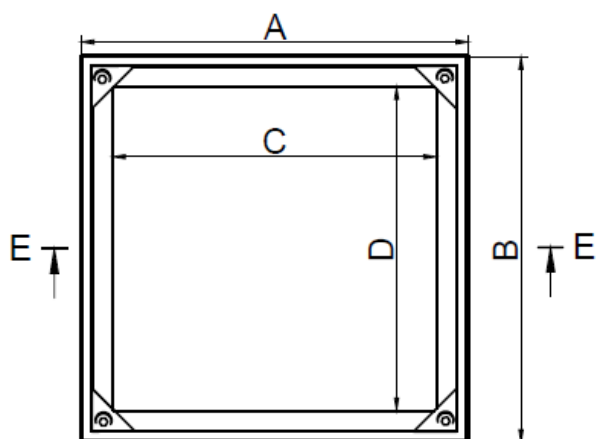
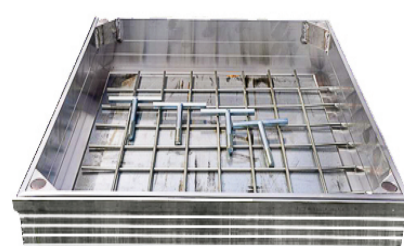
- prevents dirt between the removable cover and the frame;
- eliminates tension between the removable cover and the frame;
- provides additional smell barrier.

The manhole covers are always supplied with 2 or 4 lifting keys, depending on size and reinforcement mesh.

KA-60 LIGHT

KA-80 LIGHT

KA-100 LIGHT



CODE LIGHT SERIES	FRAME SIZE AxB [mm]	CLEAR OPENING CxD [mm]	H [mm]	Load [Kn]
KA-40/60/80/100L- 3x3	300x300	240x240	40/60/80/100	40
KA-40/60/80/100L- 4x4	400x400	340x340	40/60/80/100	40
KA-40/60/80/100L- 5x5	500x500	440x440	40/60/80/100	40
KA-40/60/80/100L- 6x6	600x600	540x540	40/60/80/100	40
KA-40/60/80/100L- 7x7	700x700	640x640	40/60/80/100	20
KA-40/60/80/100L- 8x8	800x800	740x740	40/60/80/100	20
KA-40/60/80/100L- 9x9	900x900	840x840	40/60/80/100	20
KA-40/60/80/100L-10x10	1000x1000	940x940	40/60/80/100	20

ALUMINUM MANHOLE COVERS

The **KA-Heavy** series are gas tight smell and waterproof aluminum manhole covers with the removable cover screwed to the outside frame. Products are available in four various heights: 40/60/80/100 [mm]. These materials are used in industrial objects and public buildings where access to systems installed under the floor is necessary (shops, exhibition halls, restaurants, warehouses).

The manhole covers are provided with three seals: 2 seals at the frame part and a T-shape rubber seal build into the outside frame side. The T-shape rubber:

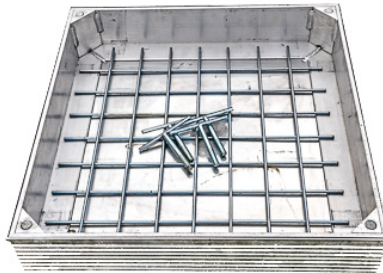
- prevents dirt between the removable cover and the frame;
- eliminates tension between the removable cover and the frame;
- provides additional smell barrier.

The manhole covers are always supplied with 2 or 4 lifting keys, depending on size and reinforcement mesh.

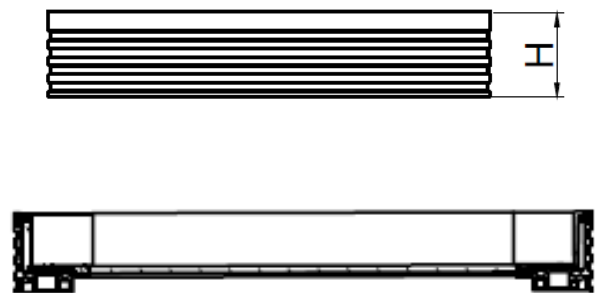
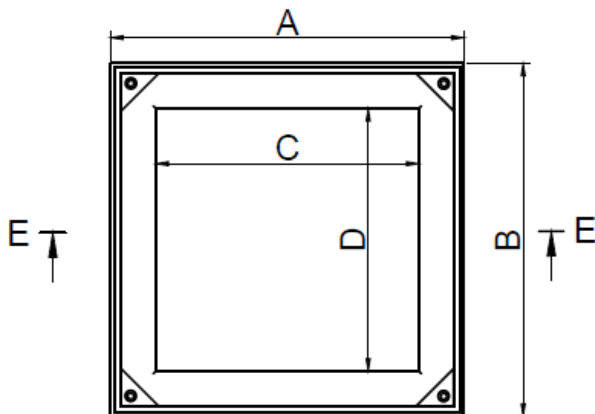
KA-60 HEAVY



KA-80 HEAVY



KA-100 HEAVY



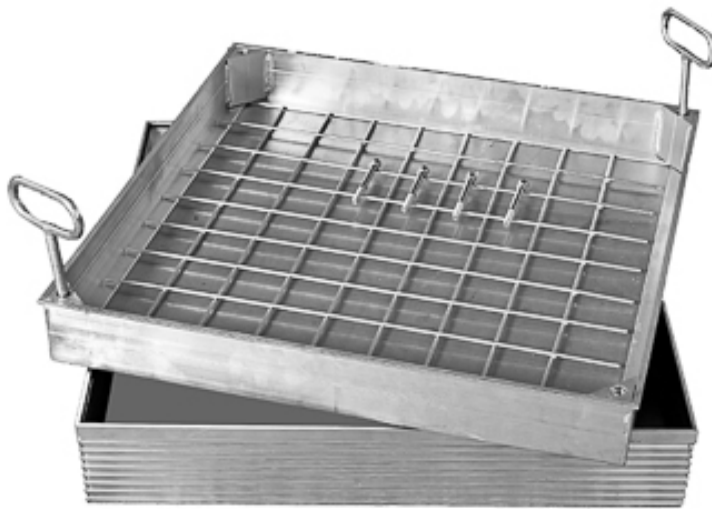
CODE HEAVY SERIES	FRAME SIZE AxB [mm]	CLEAR OPENING CxD [mm]	H [mm]	Load [Kn]
KA-40/60/80/100H- 3x3	300x300	210x210	40/60/80/100	60
KA-40/60/80/100H- 4x4	400x400	310x310	40/60/80/100	60
KA-40/60/80/100H- 5x5	500x500	410x410	40/60/80/100	60
KA-40/60/80/100H- 6x6	600x600	510x510	40/60/80/100	60
KA-40/60/80/100H- 7x7	700x700	610x610	40/60/80/100	40
KA-40/60/80/100H- 8x8	800x800	710x710	40/60/80/100	40
KA-40/60/80/100H- 9x9	900x900	810x810	40/60/80/100	40
KA-40/60/80/100H- 10x10	1000x1000	910x910	40/60/80/100	40

ALUMINUM MANHOLE COVERS

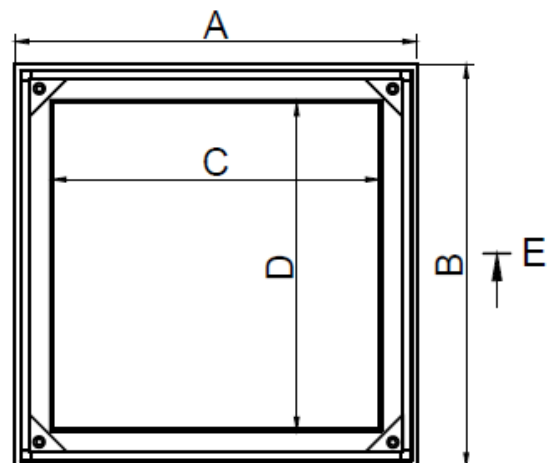
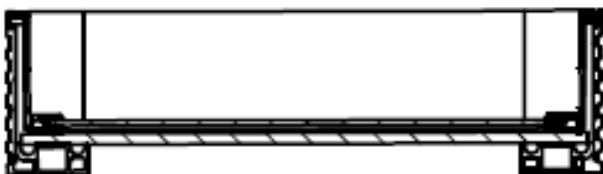
The **KA-Extra Heavy** series meets Kn125 load class requirements due to implementation of the double bottom system. The manhole covers are gas tight and waterproof and equipped with three seals: two seals in frame, 1 at the cover part and a T-shape rubber build into the outside frame). The cover part is screwed to the outside frame.

KA-80EH

KA-100EH



E-E



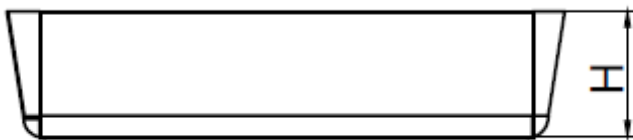
CODE SERIES	FRAME SIZE AxB [mm]	CLEAR OPENING CxD [mm]	H [mm]	Load [Kn]
KA-80/100EH- 3x3	300x300	210x210	80/100	125
KA-80/100EH - 4x4	400x400	310x310	80/100	125
KA-80/100EH- 5x5	500x500	410x410	80/100	125
KA-80/100EH- 6x6	600x600	510x510	80/100	125
KA-80/100EH- 7x7	700x700	610x610	80/100	125
KA-80/100EH- 8x8	800x800	710x710	80/100	125
KA-80/100EH- 9x9	900x900	810x810	80/100	125
KA-80/100EH-10x10	1000x1000	910x910	80/100	125

GALVANIZED MANHOLE COVERS

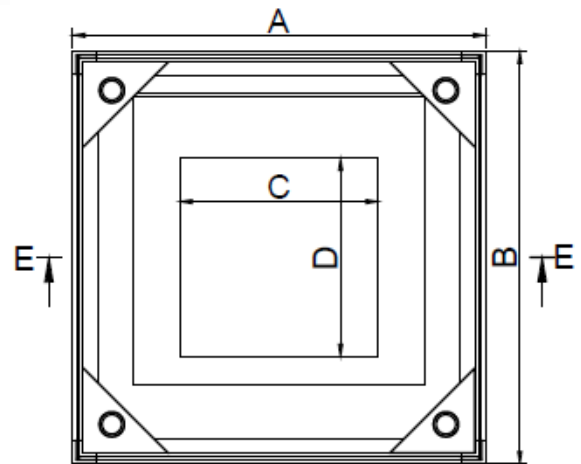
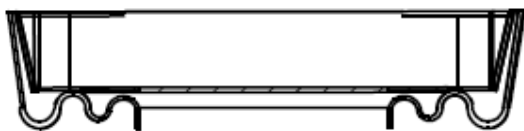
KG Light and Heavy series are galvanized manhole covers with the removable cover screwed to the outside frame. The steel construction is gas tight and waterproof due to the built-in in the frame rubber seal. The elevated profile makes the cover particularly massive and durable. Sloping lateral surfaces of the top element ensures that the construction never sticks when opening or closing. KG series offers clear openings from 300x300mm to 1000x1000mm. The manhole covers are always supplied with 4 lifting keys and a pre-mounted reinforcement mesh.

KG -75 LIGHT

KG-100 LIGHT



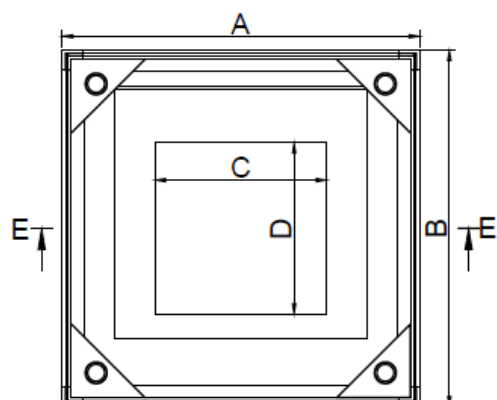
E-E



CODE GALVANIZED LIGHT SERIES	FRAME SIZE AxB [mm]	CLEAR OPENING CxD [mm]	H [mm]	Load [Kn]
KG-75/100L- 3x3	300x300	435x435	75/100	125
KG-75/100L- 4x4	400x400	535x535	75/100	125
KG-75/100L- 5x5	500x500	635x635	75/100	125
KG-75/100L- 6x6	600x600	735x735	75/100	125
KG-75/100L- 8x8	800x800	935x935	75/100	125
KG-75/100L- 9x9	1000x1000	1135x1135	75/100	125

KG -75 HEAVY

KG-100 HEAVY



CODE GALVANIZED HEAVY SERIES	FRAME SIZE AxB [mm]	CLEAR OPENING CxD [mm]	H [mm]	Load [Kn]
KG-75/100H- 3x3	300x300	435x435	75/100	125
KG-75/100H 4x4	400x400	535x535	75/100	125
KG-75/100H- 5x5	500x500	635x635	75/100	125
KG-75/100H- 6x6	600x600	735x735	75/100	125
KG-75/100H- 8x8	800x800	935x935	75/100	125
KG-75/100H- 9x9	1000x1000	1135x1135	75/100	125

Load class:



accessible parking places for cars and light trucks/load class: B125kN



accessible parking places for cars/ load class 40kN



places accessible for pedestrians and cyclists/load class: A 20kN



ATT Sp. z o. o.
 ul. Albatrosów 16c,
 30-716 Kraków, Poland
 tel.: +48 12 290 29 30
 fax: +48 12 290 29 31
 att@att.eu, www.att.eu

