

Easy Drain<sup>®</sup>  
by ess

## Diamond TAF

A unique new shape for a shower drain, which shakes up conventional design. The unique diamond shape requires only a two-sided slope for optimal water drainage, making it easy and quick to install in showers of any size. The Easy Drain Diamond TAF will give your bathroom a luxury feel thanks to its unique appearance.

## FEATURES

- Tile Adjustable Frame - Height adjustable 7 - 18 mm
- Certified - EN 1253
- Connection - 360° rotatable
- Siphon - Easy to clean
- Supplied as - Complete set
- Easy installation - 2-sided slope



### Manufacturer

Easy Sanitary Solutions  
Nijverheidsstraat 60 | 7575 BK Oldenzaal | The Netherlands  
T. +31 (0)541 200 800 | F. +31 (0)541 200 899  
info@esspost.com | www.easydrain.com

### Contact

Easy Sanitary Solutions  
Nijverheidsstraat 60 | 7575 BK Oldenzaal | The Netherlands  
T. +31 (0)541 200 800 | F. +31 (0)541 200 899  
sales@esspost.com | www.easydrain.com

Page 1 / 3

## GENERAL

Serie	Diamond
Name	Diamond TAF
Model	Linear shower drain
Length (mm)	726
Product type	Complete
Application	Renovation, New construction
Certification	DIN 18534, ETAG-022, EN 1253

## INSTALLATION

Substrate	Lewis sheets, Concrete / Sand Cement, Wooden floors, Synthetic
Floor finish	Tiles / Mosaic, Glass Mosaic
Height adjustable feet	Included
Installation option	Floor
Outlet	Horizontal (Vertical outlet optional)
Connection (mm)	50
Min. installation depth (mm) (built-in set)	87
Min. installation depth (mm) (incl. grate)	94

## DRAINAGE

Max. drainage capacity entrance (l/min)	42
Max. drainage capacity wall (l/min)	N.A.
Max. drainage capacity (l/min)	42

## BUILT-IN SET

Pre-assembled sealing membrane (WPS)	Included
Siphon features	Cleanable, Pivotal & adjustable, Height adjustable
Water seal height (mm)	28 / 50
Outlet	Horizontal (Vertical outlet optional)
Material siphon	Polypropylene (PP)

## DESIGN

Grate finish	Brushed stainless steel
Grate pattern	Zero / Closed
Grate width (mm)	49
Grate tile insert (mm)	N.A.
Adjustable grate	N.A.
Frame type	N.A.
TAF Frame material	Stainless steel (304)
Design frame finish	Brushed stainless steel
Frame width (mm)	70
Wheelchair accessible	Yes
Extension set available	N.A.



### Manufacturer

Easy Sanitary Solutions  
 Nijverheidsstraat 60 | 7575 BK Oldenzaal | The Netherlands  
 T. +31 (0)541 200 800 | F. +31 (0)541 200 899  
 info@esspost.com | www.easydrain.com

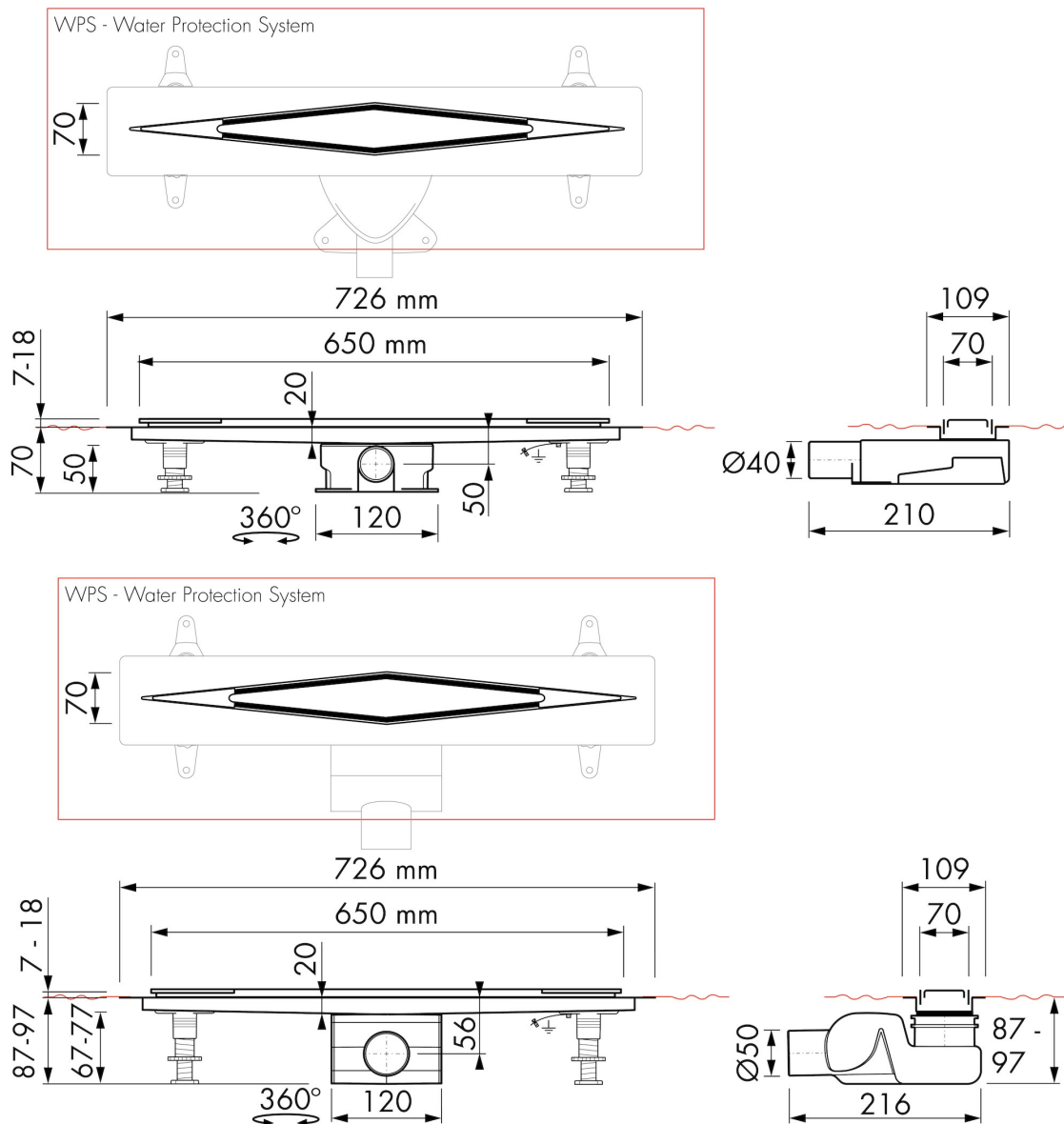
### Contact

Easy Sanitary Solutions  
 Nijverheidsstraat 60 | 7575 BK Oldenzaal | The Netherlands  
 T. +31 (0)541 200 800 | F. +31 (0)541 200 899  
 sales@esspost.com | www.easydrain.com

## ARTICLE CODE

726 mm	ED-DIAMOND-TAF		

## TECHNICAL DRAWINGS



**Manufacturer**

Easy Sanitary Solutions  
 Nijverheidsstraat 60 | 7575 BK Oldenzaal | The Netherlands  
 T. +31 (0)541 200 800 | F. +31 (0)541 200 899  
 info@esspost.com | www.easydrain.com

**Contact**

Easy Sanitary Solutions  
 Nijverheidsstraat 60 | 7575 BK Oldenzaal | The Netherlands  
 T. +31 (0)541 200 800 | F. +31 (0)541 200 899  
 sales@esspost.com | www.easydrain.com